

SUN KID – WONDERCARPET – CHAIN G? + '! '&\$\$&'



DAILY CHECKLIST FOR 100 DAYS OF OPERATION

OPERATING SEASON

OWNER:

A - 6460 Imst/Tirol
 Tel (+43) 05412.68131
 Fax (+43) 05412.68132
 e-mail: office@sunkid.at
 Website: www.sunkid.at
 UID-Nr: ATU42030100

TYPE: LENGTH: MOTOR: YEAR OF MANUFACTURE:

IF PROBLEMS - CONTACT:

WEEKLY TEST (7 DAY PERIODE)

- Carefully de-icing under the driving and return drum.
- Assurance that the conveyor chain is properly tensioned and operates smoothly
- Test of the back-stop (it must not move in the locked direction)
- Check the abrasion of the chain and guide lines. Pay attention to loosen screws.

On	Date	Completed by:	Problems/check
Problems Contacted at checks			

Duration of daily „ABC“-check: dependent on the length of the belt: 3 – 5 minutes.
 Yearly maintenance and gear oil change: see manual

DAILY PREOPERATIONAL INSPECTION

Safety Lid Check:

Using the little finger, check the function of the Safety Lid. Lift shall stop within 4-mm of travel. Once the stop has been initiated, the safety lid shall move freely and without obstruction until it is hidden under the unloading platform.

Belt Surface Check:

Operate the chain for at least one complete revolution, check for the following and correct as necessary:

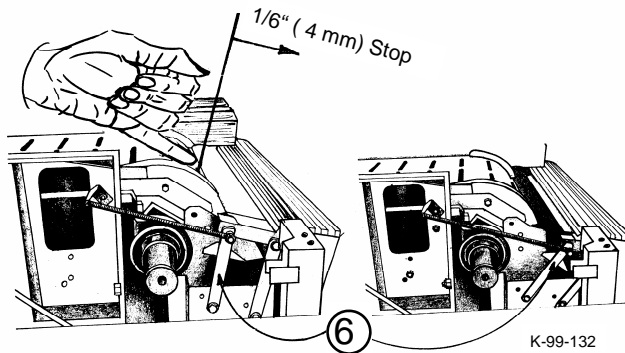
- * That no chain elements are missing, cracked, or broken.
- * That all the rubber grommets are present and securely in place.
- * That each of the splice rods are securely in position and not extending past the edge of the chain surface.
- * That no excessive gaps or holes exist between the snow and carpet walkways or between the chain and carpet walkways.
- * That the structural integrity of the carpet-frame has not changed. With the carpet stopped, walk down the centre and check for excessive flex, bending and instability in the frame.
- * That snow and ice build-up under the drive and return drums have not occurred.
- * That the entrance-ramp to the belt is maintained level for 2-meters ahead of the belt.
- * That the unloading ramp is slightly sloping away from the belt for 1,5 – 2 meters.
- * That excessive build-up of snow and or ice on the carpet hasn't developed that could cause a user to slide backwards.
- * That each carpet walkway is securely in place and locked-down.

CHECK LIST:

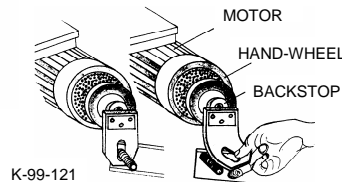
- 1) Safety lid: After 4 mm (1/6") of moving belt must stop
- 2) 100 mm – 4" smooth moving of 6
- 3) between the belt and all covering parts (rubber, plastic) a maximum gap of 4 mm (1/6") is permitted
- 4) Max. speed – stop – max. stopping distance permitted is 160 mm (6 1/3")
- 5) Make a run of a total belt round and pay attention to damaged elements and loose rubbers

Any damage has to be repaired immediately!

Otherwise you risk serious accidents with injury to persons!



K-99-132



K-99-121

ATTENTION

IF THE CHAIN HAS BEEN MOVED IN BOTH DIRECTION, DON'T FORGET TO PUT IT (RED PLASTIC) BACK INTO WORKING POSITION.

Safety gate d5 (option)

Cover up both light sources: Belt (chain) must stop after 2 seconds

Arrangement

In case of a belt damage, or a failure in the safety system stop the belt immediately, until a qualified person repaired it.

If there is a failure in the safety gate it can be by-passed. For the repairtime only direct supervised operation is allowed.

When the weather conditions are critical, hourly, in worst case permanent inspection and maintenance of the loading and unloading area is necessary.

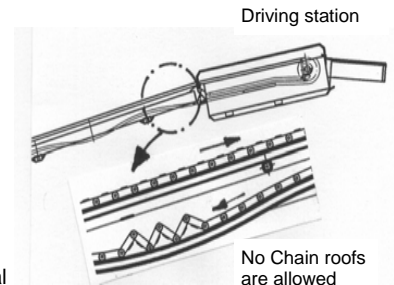
WEEKLY MAINTENANCE

*Carefully de-icing under the driving and return drum.

*Assurance that the conveyor chain is properly tensioned and operates smoothly otherwise increase chain tension by fixing the tension cord brackets to the next attachment hole.

*Test of the back-stop (it must not move in the locked direction)

*Check the abrasion of the chain and guide lines. Pay attention of loose screws.



GENERAL MAINTENANCE

General foundation and all structural, mechanical and electrical components shall be inspected regularly and kept in a state of good pair:

A) Conveyor belt:

Inspect the belt alignment daily

No belt-contact with the metal structure is allowed

No contact with oil or grease

At the end of the daily operation, cover the belt with a plastic-awning. Make it storm-resistant.

B) Drums and rollers:

Rubber surfaces – keep free of oil and grease

Grease driving-drum-bearing every 200 hours. All other bearings are life time greased

Keep drums and rollers ice-free

C) Belt-tensioning-system:

At the end of the operating season, unhook the rubber cords.

No contact with oil or grease.

D) Electrical control system:

Inspect plugs and wires daily

At the end of the operating season, store all parts inside

E) Structures:

At the end of the operating season, dismantle the structure and store indoors.

The belt-supporting-surface must be smooth and even. No edges, No gaps. Watch the location of the stainless steel sheets.

F) Gear box:

After 5000 operating hours or 5 years the gear oil must be changed.

Each gear oil for temperatures of –25°C is possible.

If o.k. ✓	Prior to operation			Prior to after-noon operation (after 3 h)			C*Option monitoring-eye, if installed	If o.k. ✓	Prior to operation			Prior to after-noon operation (after 3 h)			C*Option monitoring-eye, if installed				
	Date	A	B	C*	A	B	C*		Name Tester Signature	Date	A	B	C*	A	B	C*	Name Tester Signature		

Problems:
Date: